



GARDENS INDUSTRIAL LLC
 18235 NE 4TH COURT
 NORTH MIAMI BEACH
 FL 33179



Location Map



Drawing Date: 06/21/10

Existing Floor Plan

Scale: NTS Drawn By: MAL

Total Rentable Square

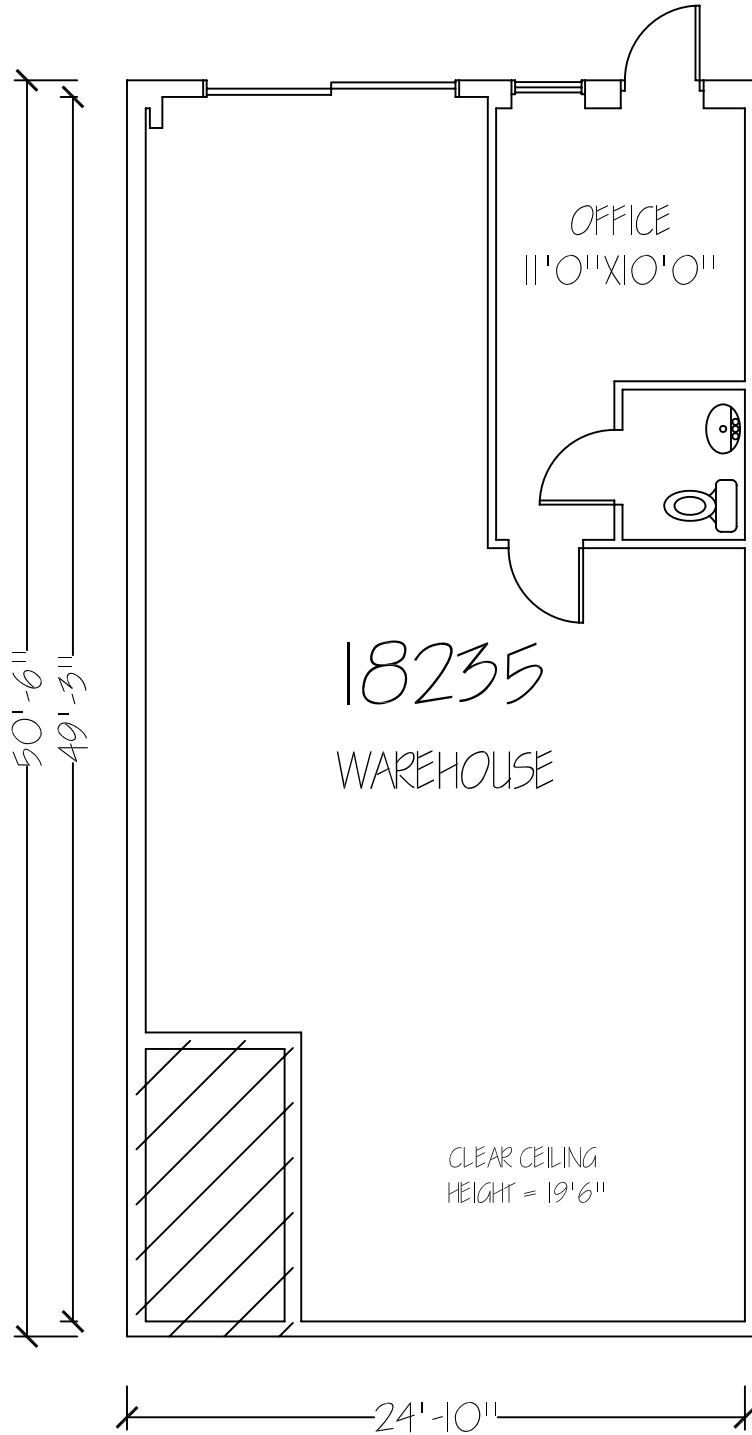
Feet: 1,250

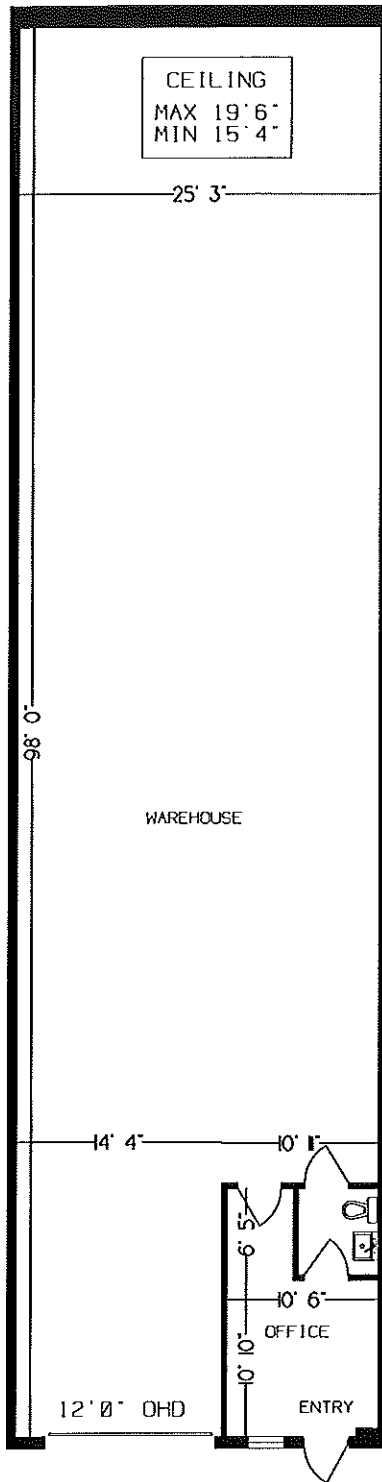
Notes:

THE INFORMATION CONTAINED HEREIN IS THE SOLE PROPERTY OF CAD CONCEPTS AND USE AND/OR REPRODUCTION THEREOF IS EXPRESSLY PROHIBITED WITHOUT CONSENT OF CAD CONCEPTS. THIS DRAWING AND ALL DATA IT CONTAINS IS INTENDED FOR THE SOLE PURPOSE OF ILLUSTRATING THE EXISTING FLOOR PLAN CONFIGURATION. THIS PLAN IS NOT TO BE USED FOR PERMIT ISSUE OR CONSTRUCTION DOCUMENTATION. VERIFY ALL FIELD MEASUREMENTS.



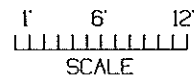
4901 NW 17TH WAY #103
 FT. LAUDERDALE FL 33309
 Tel: (954) 599-9029





GENET PROPERTY GROUP
 18237 NE 4th COURT

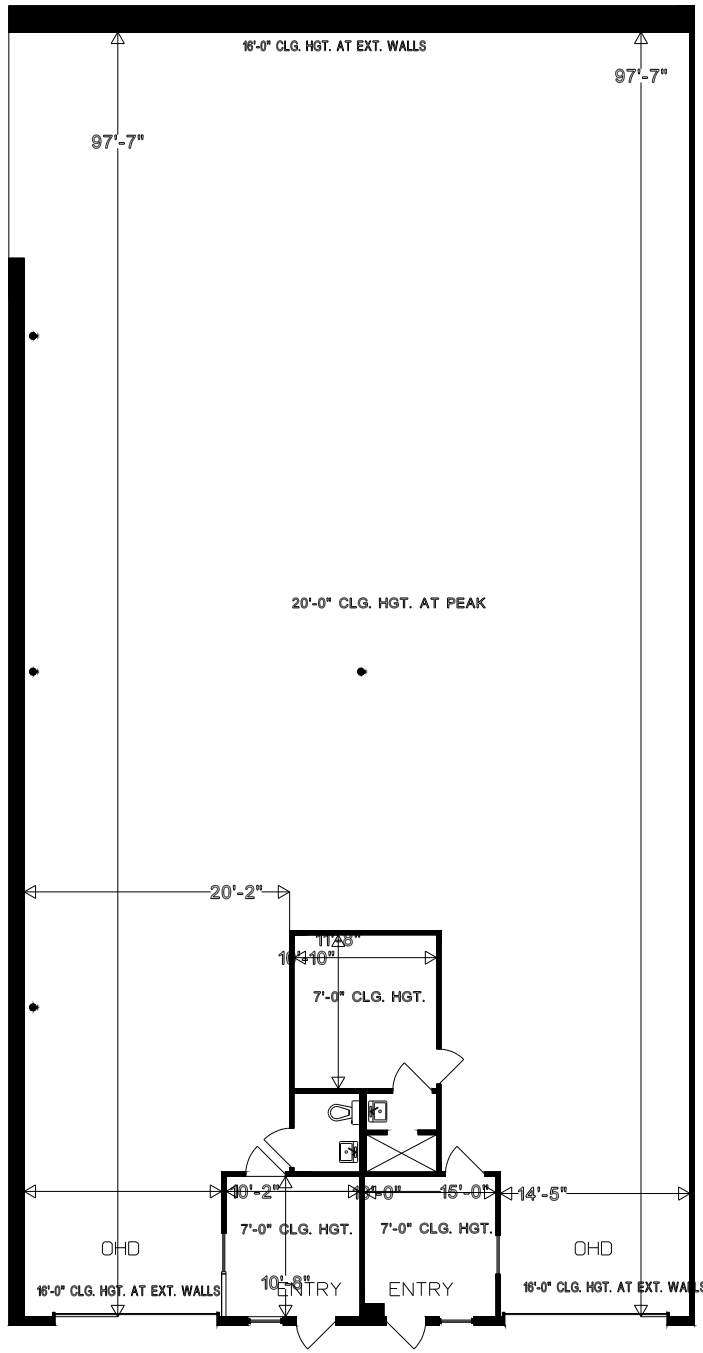
NORTH MIAMI BEACH, FLORIDA



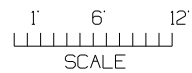
AS MEASURED MARCH 15, 2006



MEASURE MASTERS™
 Floor Planning & Blue Print Service
 800-709-3332



18255 NE 4th Court
 Bays: I,J



North Miami, FL
 AS MEASURED FEB. 13, 2007



MEASURE MASTERS
 Floor Planning & Blue Print Service
 800-709-3332



GARDENS INDUSTRIAL LLC
 18265 NE 4TH COURT
 NORTH MIAMI BEACH
 FL 33179



LOCATION MAP



Drawing Date: 06 / 23 / 10

Existing Floor Plan

Scale: NTS Drawn By: MAL

Total Rentable Square
 Feet: 2,000

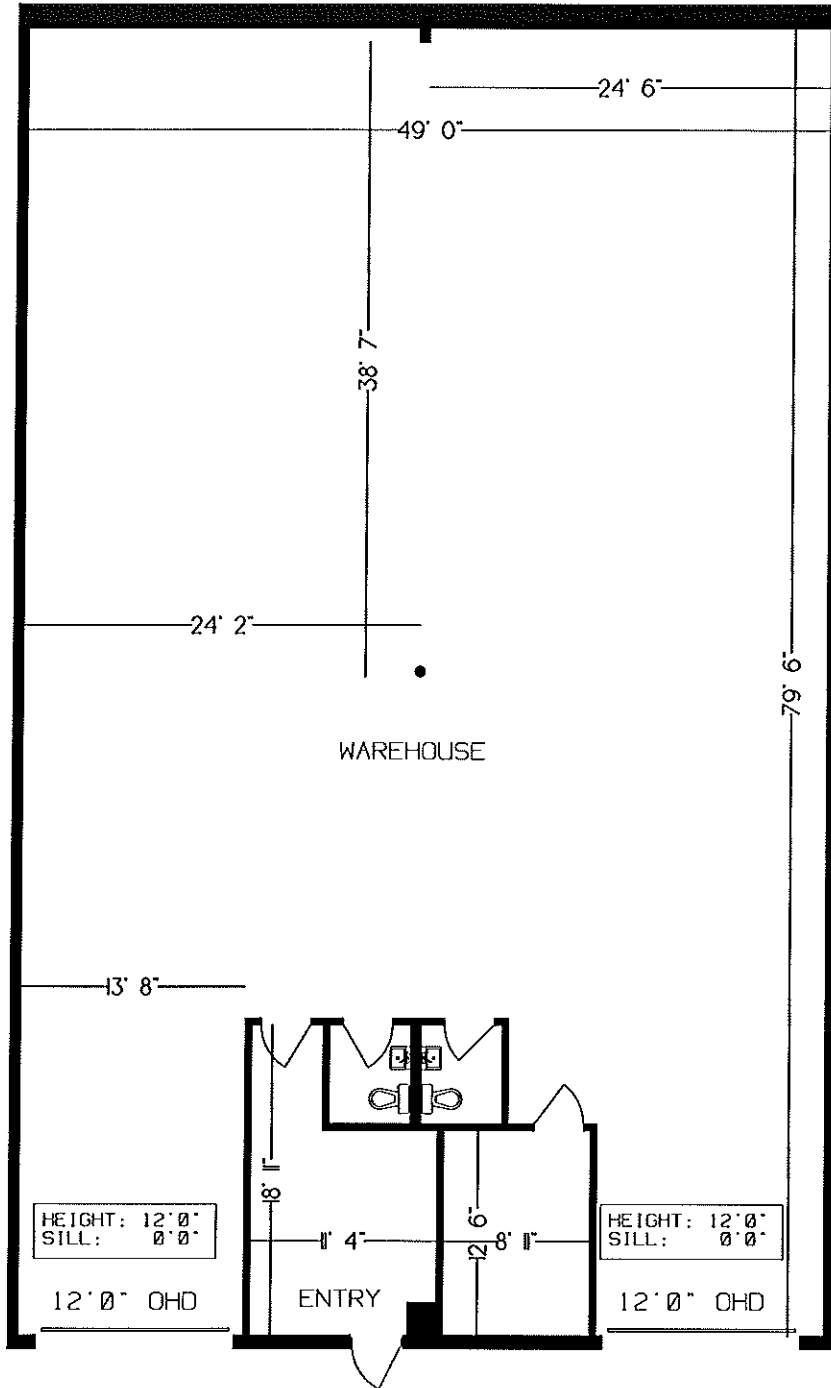
Notes:

THE INFORMATION CONTAINED HEREIN IS THE SOLE PROPERTY OF CAD CONCEPTS AND USE AND / OR REPRODUCTION THERE OF IS EXPRESSLY PROHIBITED WITHOUT CONSENT OF CAD CONCEPTS. THIS DRAWING AND ALL DATA IT CONTAINS IS INTENDED FOR THE SOLE PURPOSE OF ILLUSTRATING THE EXISTING FLOOR PLAN CONFIGURATION. THIS PLAN IS NOT TO BE USED FOR PERMIT ISSUE OR CONSTRUCTION DOCUMENTATION. VERIFY ALL FIELD MEASUREMENTS.



1210 STIRLING RD # 2B
 DANIA BEACH FL, 33004
 Tel: (954) 599-9029

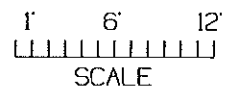




GENET PROPERTY GROUP
 18277 NE 4th COURT

NORTH MIAMI BEACH, FLORIDA

v/092



SCALE
 AS MEASURED MARCH 15, 2006



MEASURE MASTERS™
 Floor Planing & Blue Print Service
 800-709-3332



GARDENS INDUSTRIAL LLC
 18371 NE 4TH COURT
 NORTH MIAMI BEACH
 FL 33179



Location Map



Drawing Date: 06/21/10

Existing Floor Plan

Scale: NTS Drawn By: MAL

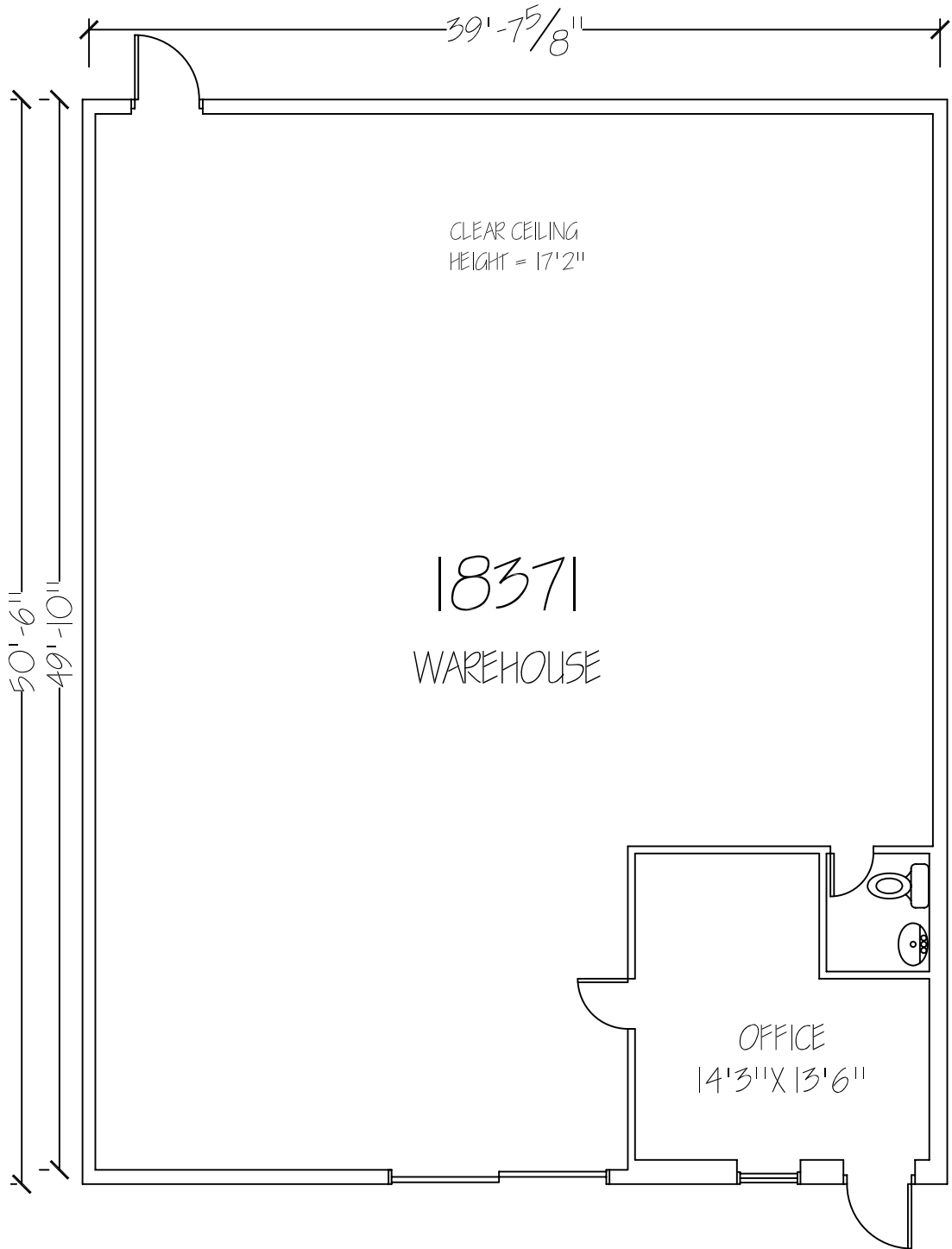
Total Rentable Square
 Feet: 2,000

Notes:

THE INFORMATION CONTAINED HEREIN IS THE SOLE PROPERTY OF CAD CONCEPTS AND USE AND/OR REPRODUCTION THEREOF IS EXPRESSLY PROHIBITED WITHOUT CONSENT OF CAD CONCEPTS. THIS DRAWING AND ALL DATA IT CONTAINS IS INTENDED FOR THE SOLE PURPOSE OF ILLUSTRATING THE EXISTING FLOOR PLAN CONFIGURATION. THIS PLAN IS NOT TO BE USED FOR PERMIT ISSUE OR CONSTRUCTION DOCUMENTATION. VERIFY ALL FIELD MEASUREMENTS.



4901 NW 17TH WAY #103
 FT. LAUDERDALE FL 33309
 Tel: (954) 599-9029





GARDENS INDUSTRIAL LLC
18395 / 18397 NE 4TH COURT,
NORTH MIAMI BEACH FL



LOCATION MAP



Drawing Date: 04/14/11

Existing Floor Plan

Scale: NTS Drawn By: MAL

Total Rentable Square
Feet: 3,000

Notes:

THE INFORMATION CONTAINED HEREIN IS THE SOLE PROPERTY OF CAD CONCEPTS AND USE AND / OR REPRODUCTION THERE OF IS EXPRESSLY PROHIBITED WITHOUT CONSENT OF CAD CONCEPTS. THIS DRAWING AND ALL DATA IT CONTAINS IS INTENDED FOR THE SOLE PURPOSE OF ILLUSTRATING THE EXISTING FLOOR PLAN CONFIGURATION. THIS PLAN IS NOT TO BE USED FOR PERMIT ISSUE OR CONSTRUCTION DOCUMENTATION. VERIFY ALL FIELD MEASUREMENTS.



1210 STIRLING RD #2B
DANIA BEACH FL, 33004
Tel: (954) 599-9029

